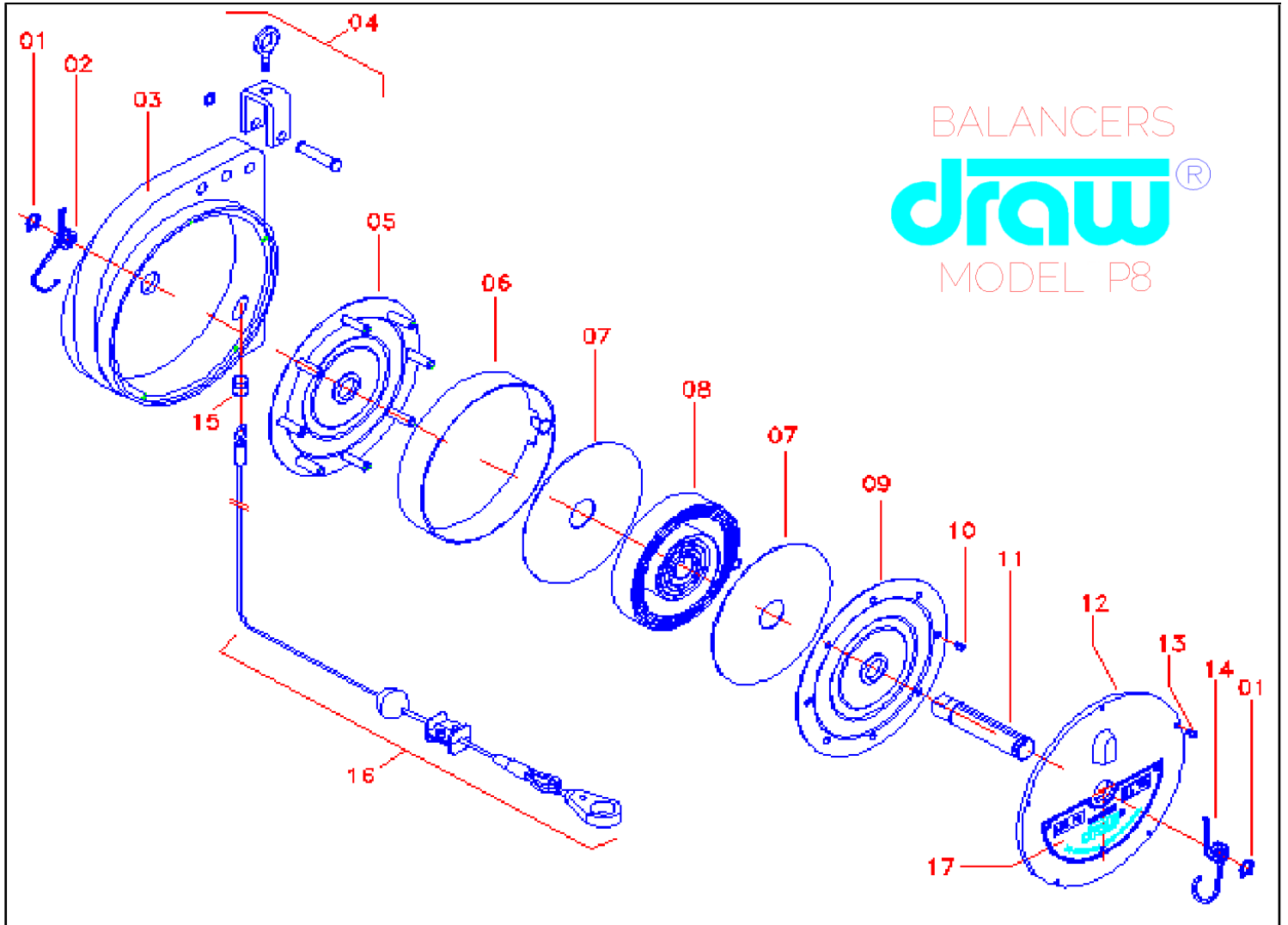


BALANCERS
draw[®]
 MODEL P8



| ITEM | PART NUMBER | QUANTITY | DESCRIPTION |
|------|-------------|----------|------------------------|
| 1 | 131101 | 02 | ELASTIC RING |
| 2 | 131102 | 01 | RIGHT SPRING |
| 3 | 130901 | 01 | CASE |
| 4 | 131104 | 01 | COMPLETE SUPPORT |
| 5 | 131304 | 01 | REEL SIDE WITH SPACER |
| 6 | 131305 | 01 | REEL STRAP |
| 7 | 131107 | 02 | ANTI-NOISE DISC |
| 8 | 130601 | 01 | CENTRAL SPRING |
| 9 | 131108 | 01 | REEL SIDE |
| 10 | 131109 | 08 | REEL SCREW |
| 11 | 131201 | 01 | CENTRAL SPINDLE |
| 12 | 131202 | 01 | COVER |
| 13 | 131203 | 05 | COVER SCREW |
| 14 | 131204 | 01 | LEFT SPRING |
| 15 | 131103 | 01 | CASING BUSHING |
| 16 | 131110 | 01 | COMPLETE CABLE |
| 17 | 130602 | 01 | IDENTIFICATION TAG P-8 |