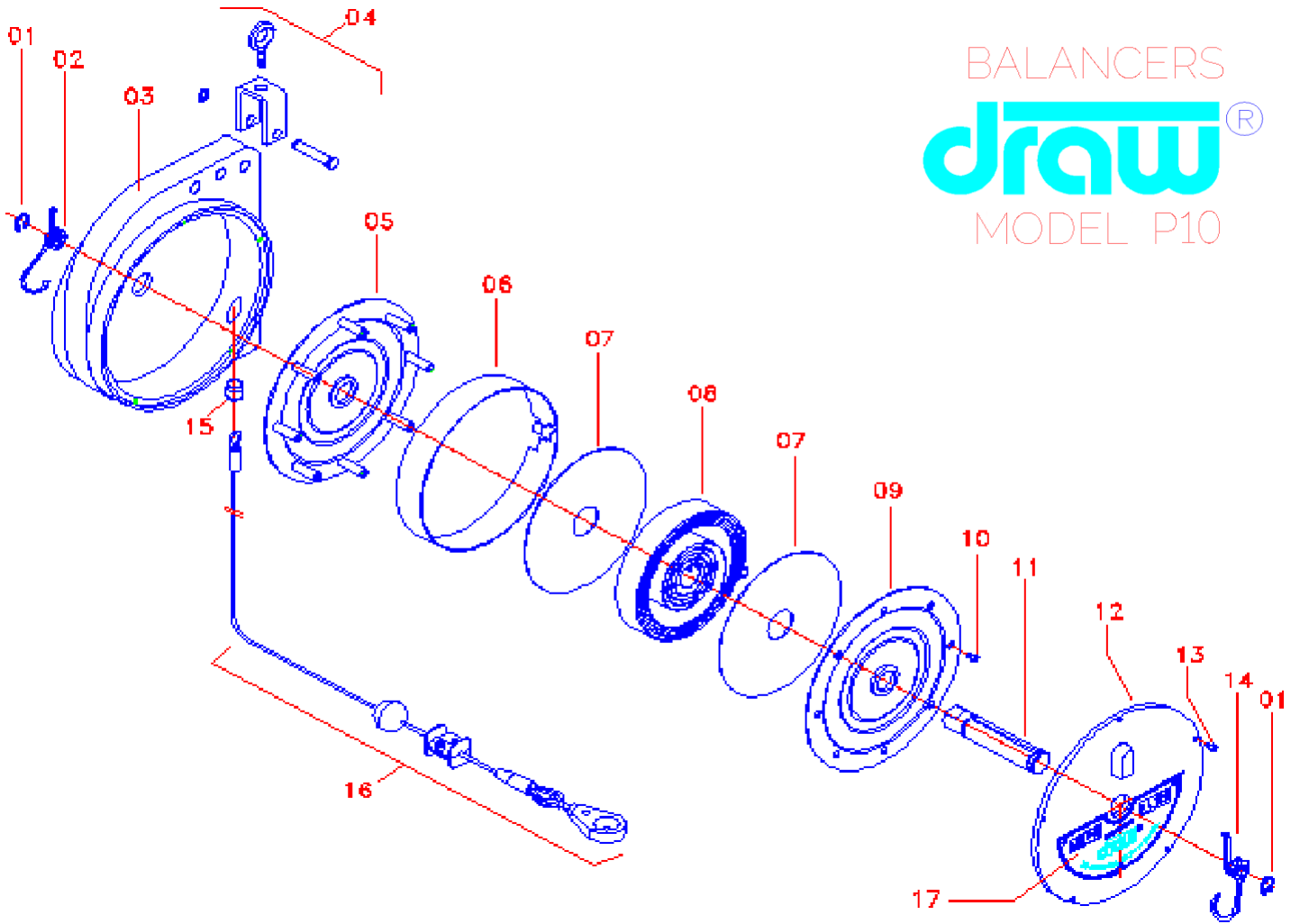


BALANCERS
draw®
 MODEL P10



ITEM	PART NUMBER	QUANTITY	DESCRIPTION
1	131101	02	ELASTIC RING
2	131102	01	RIGHT SPRING
3	130901	01	CASE
4	131104	01	COMPLETE SUPPORT
5	131002	01	REEL SIDE WITH SPACER
6	131003	01	REEL STRAP
7	131107	02	ANTI-NOISE DISC
8	130701	01	CENTRAL SPRING
9	131108	01	REEL SIDE
10	131109	08	REEL SCREW
11	131201	01	CENTRAL SPINDLE
12	131202	01	COVER
13	131203	05	COVER SCREW
14	131204	01	LEFT SPRING
15	131103	01	CASING BUSHING
16	131110	01	COMPLETE CABLE
17	130702	01	IDENTIFICATION CABLE P-10